

TRACTOR LOADER BACKHOE



Specifications

Max Gross Vehicle Weight	15,151 lbs (6,887 kg)
Net Engine Power	87 hp (64.8 kW)
Dig Depth (Std)	14' 8" (4.46 m)
Dig Depth (Ext)	19' 3" (5.86 m)

Features

- Large 1.32 yd³ (1.0 m³) bucket decreases loader cycle times.
- Exceptionally narrow backhoe boom offers excellent visibility.
- Strong loader with excellent lift capacity and bucket breakout force help improve productivity.
- Exceptional ground clearance improves maneuverability around the job site, even in soft, difficult conditions.
- Tandem gear pumps and a closed center hydraulic system provide more controlled power to help get jobs done faster.
- Standard large, comfortable cab with a full suspension seat.

WORKS FOR YOU.™

SPECIFICATIONS

Engine

Manufacturer, model	Perkins, Model 1104D-44T
Induction	Turbo
Gross power rating @ 2,200 rpm (SAE J 1995)	94 hp (70.3 kW)
Net torque @ 1,400 rpm (SAE J 1349)	275 lbf (375 Nm)
Displacement	269 in ³ (4.4 L)
Tier-3 1100 Series with reduced noise and lower exhaust emissions. Electric fuel lift pump for increased reliability. Easy service Ecoplus fuel filters. Service periods at 500 hours. Integrated closed circuit breather further reduces emissions. Key stop/start. Two-stage dry air cleaner.	

Electrical System

Alternator	100 A
Battery (single)	770 CCA, 115 amp/hr -12 V
Battery (double)	590 CCA - each, 72 amp/hr -12 V
Battery step-mounted for good access. Low maintenance battery. Connectors sealed against water and dust. 33 circuit fuses. 25 circuit relays.	

Transmission & Ground Speeds

Carraro transmission. Power shuttle gearbox with 4 speeds forward and 4 speeds reverse. Single-stage torque converter with 3.01:1 stall ratio. Fast, smooth gear changes on the move. High transport speed reduces highway travel times. High tractive effort in first and second gears for high loader performance. Modulated forward and reverse clutch packs enable smooth direction changes. 4WD standard and 2WD optional. Front console switch allows effortless engagement of 4WD.

Tires:	2WD	4WD
	11Lx16 12 ply front	12.5/80x18 10 ply front
	19.5Lx24 10 ply rear	19.5Lx24 10 ply rear

Forward and Reverse

Gear	1	2	3	4
mph	3.30	5.31	11.66	23.29
km/h	5.31	8.54	18.77	37.49

Turning Circle (4 WD)

	Over tires	Over bucket
Without brakes	25' 3" (7.7 m)	35' 1" (10.7 m)
With brakes	22' 3" (6.8 m)	32' 10" (10.0 m)

Axles

	Front	Rear
Static load rating	53,400 lbf (237,500 N)	42,150 lbf (187,500 N)
Dynamic load rating	21,360 lbf (95,000 N)	16,860 lbf (75,000 N)
Outboard planetary final drives for easier servicing. Foot-actuated differential lock for ease of operation. 16° front axle oscillation to maintain maximum ground contact and traction.		



Brakes

Long life sealed wet disk brakes. Self-equalizing and self-adjusting. Friction area per brake assembly measures 113 in² (728 cm²). Selectable 2-wheel or 4-wheel braking.

Hydraulic System

Main pump @ 2,200 rpm	21 gpm (80 Lpm)
Secondary pump @ 2,200 rpm	16.5 gpm (62 Lpm)
System main relief setting	3,250 psi (225 bar)
Unloader settings	3,000 psi (207 bar)

Closed center system incorporating load-sensing and flow-sharing. Twin gear pumps for reliability. Power Boost to match digging power and speed to application. Automatic or manually activated to give more precise control as required. Single pedal operation of auxiliary circuit and extending dipper (optional). Hydraulic oil cooler reduces operating temperatures and tilts forward for easy cleaning. Hydraulic tank and filter easily accessed from ground level. Commercial hydraulic pumps. Rexroth hydraulic valves. Pacoma hydraulic cylinders.

Cab (optional)

Wide opening doors with steps and large grab rails. Large windows, lowline curved hood and full depth rear window enhance visibility. Door windows can be partially or fully opened for ventilation. Raised rear window provides ventilation and protection from the rain. Backlit, touch operated switches. Adjustable tilt steering wheel. Two front and rear defrosting vents. Powerful 3-speed heater with two forward and three rear vents. Adjustable rear working lights.

Noise emission ambient LWA	78 dB (A)
Air conditioning option available.	
Four-post, open-ROPS as standard equipment.	
Pilot control option available for backhoe controls.	

Weight Configuration

Total machine weight	15,151 lbs (6,887 kg)
----------------------	-----------------------

Loader Performance

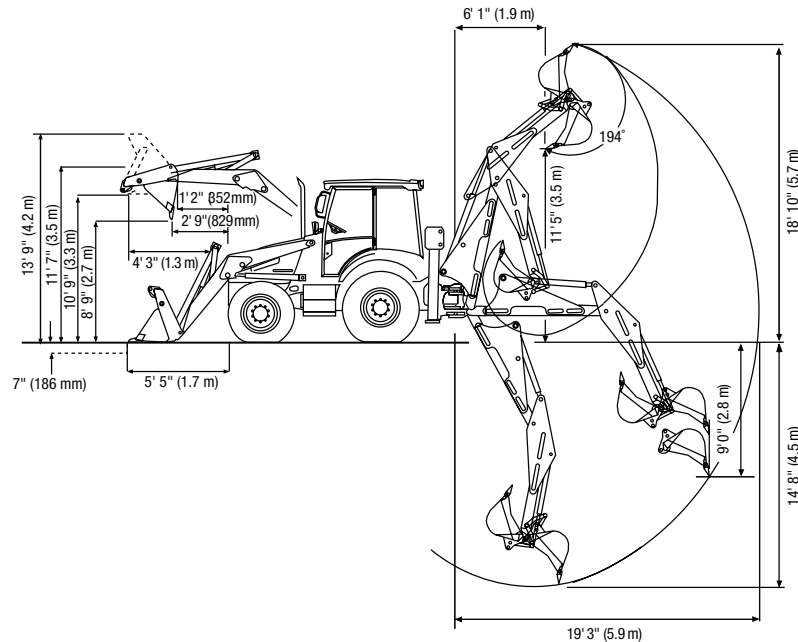
	1.32 yd ³ Bucket	1.32 yd ³ 7-in-1 Bucket
Bucket breakout	10,485 lbf (4,756 kgf)	10,097 lbf (4,580 kgf)
Arms breakout	9,597 lbf (4,685 kgf)	9,597 lbf (4,345 kgf)
Lift capacity to full height	7,604 lbf (3,449 kgf)	6,742 lbf (3,058 kgf)

Fluid Capacities

Fuel	34.2 gal (130 L)	R axle (4WD)	4.6 gal (17.5 L)
Coolant	4.2 gal (16 L)	F. axle (4WD)	3.3 gal (12.5 L)
Engine oil w/ filter	2.2 gal (8.5 L)	Hydraulic Sys.	37.6 gal (143 L)
Transmission	4.0 gal (15 L)		



Working Ranges



Backhoe Dimensions

	Standard Dipper	Deep Dig Dipper (Ret.)	Deep Dig Dipper (Ext.)
Dig depth SAE	14' 8" (4.46 m)	14' 8" (4.46 m)	19' 3" (5.86 m)
2 ft (0.61 m) flat bottom SAE	14' 7" (4.45 m)	14' 7" (4.45 m)	19' 0" (5.80 m)
Reach ground level to swing post	19' 3" (5.87 m)	19' 3" (5.87 m)	23' 5" (7.14 m)
Loading reach	6' 1" (1.86 m)	6' 1" (1.86 m)	9' 2" (2.79 m)
Operating height	18' 10" (5.75 m)	18' 10" (5.75 m)	22' 1" (6.73 m)
Loading height SAE	11' 5" (3.48 m)	11' 5" (3.48 m)	14' 8" (4.46 m)
Maximum load height	12' 3" (3.74 m)	12' 3" (3.74 m)	15' 6" (4.72 m)
Maximum straight wall dig depth	9' 0" (2.75 m)	9' 0" (2.75 m)	13' 6" (4.11 m)
Bucket rotation			
Speed	194°	194°	194°
Power	163°	163°	163°
Side reach from stabilizers	12' 10" (3.91 m)	12' 10" (3.91 m)	17' 0" (5.18 m)
Stabilizer spread	11' 3" (3.43 m)	11' 3" (3.43 m)	11' 3" (3.43 m)
Maximum leveling angle	15°	15°	15°
Backhoe Performance			
Swing torque	11,875 lbf-ft (16,100 Nm)	11,875 lbf-ft (16,100 Nm)	11,875 lbf-ft (16,100 Nm)
Dipper tearout	8,329 lbf (3,778 kgf)	8,329 lbf (3,778 kgf)	5,580 lbf (2,531 kgf)
Bucket tearout			
Speed	11,636 lbf (5,278 kgf)	11,636 lbf (5,278 kgf)	11,636 lbf (5,278 kgf)
Power	14,445 lbf (6,552 kgf)	14,445 lbf (6,552 kgf)	14,445 lbf (6,552 kgf)

Loader Dimensions

	1.32 yd ³ Bucket	1.32 yd ³ 7-in-1 Bucket
Dump clearance at 45°	8' 9" (2.68 m)	8' 9" (2.68 m)
Dump height (fully dumped)	8' 6" (2.60 m)	8' 6" (2.60 m)
Load over height	10' 9" (3.28 m)	10' 9" (3.28 m)
Hinge pin height	11' 7" (3.52 m)	11' 7" (3.52 m)
Pin forward reach	1' 2" (352 mm)	1' 2" (352 mm)
Reach at ground	5' 5" (1.65 m)	5' 5" (1.65 m)
Max. reach at full height	4' 3" (1.28 m)	4' 3" (1.28 m)
Reach at full height, fully dumped	2' 1" (645 mm)	2' 1" (645 mm)
Dig depth	7" (186 mm)	7" (186 mm)
Rollback at ground	45°	45°
Maximum dump angle	57°	57°
Overall operating height	13' 9" (4.20 m)	13' 11" (4.25 m)

Loader Attachments

	Standard Capacity Bucket	7-in-1 Bucket
Width	7' 7" (2.31 m)	7' 7" (2.31 m)
Capacity	1.32 yd ³ (1.0 m ³)	1.32 yd ³ (1.0 m ³)
Weight	880 lbs (400 kg)	1,606 lbs (730 kg)
	High Capacity Bucket	High Capacity 7-in-1 Bucket
Width (Optional)	7' 10" (2.39 m)	7' 10" (2.39 m)
Capacity	1.56 yd ³ (1.2 m ³)	1.56 yd ³ (1.2 m ³)
Weight	946 lbs (430 kg)	1,687 lbs (767 kg)

Hydraulic Hammer Option

Sound-insulated. Tools: Moil point or chisel point

Fork Attachments (Bucket-mounted)

	Std Cap Bucket	7-in-1 Bucket
Fork length	3' 6" (1.07 m)	
Section width	3" (80 mm)	
Assembly weight	330 lbs (150 kg)	
Max. operating height	10' 2" (3.09 m)	
Reach at ground level	8' 10" (2.71 m)	
Reach at full height	7' 4" (2.23 m)	7' 4" (2.23 m)
S.W.L. at 20" load center	2,204 lbs (1,000 kg)	

Backhoe Option

Pilot operated controls with pattern changer for backhoe.

Backhoe Lifting Performance

Ground	Bucket Pin HT			BOOM LIFT			DIPPER LIFT			CRANING LIFT		
	Above/Below lbs (kg)			Extending			Extending			Extending		
	Std	Ret	Ext	Std	Ret	Ext	Std	Ret	Ext	Std	Ret	Ext
+18'	-	-	-	-	-	-	-	-	-	-	-	2,840 (1,288)
+16'	-	-	1,830 (830.1)	-	-	2,346 (1,064)	-	-	2,346 (1,064)	-	-	2,840 (1,288)
+14'	3,126 (1,418)	2,877 (1,305)	1,889 (856.8)	3,814 (1,730)	3,752 (1,701)	2,152 (976)	4,314 (1,956)	4,295 (1,948)	2,813 (1,276)	4,314 (1,956)	4,295 (1,948)	2,813 (1,276)
+12'	3,212 (1,457)	2,895 (1,313)	1,975 (895.8)	3,404 (1,544)	3,131 (1,420)	1,995 (904)	3,999 (1,813)	3,909 (1,773)	2,791 (1,266)	3,999 (1,813)	3,909 (1,773)	2,791 (1,266)
+10'	3,212 (1,457)	2,800 (1,270)	1,947 (883.1)	3,307 (1,500)	2,932 (1,329)	1,896 (860)	3,924 (1,779)	3,873 (1,756)	2,791 (1,266)	3,924 (1,779)	3,873 (1,756)	2,791 (1,266)
+8'	3,164 (1,435)	2,760 (1,251)	1,914 (868.2)	3,466 (1,572)	3,051 (1,383)	1,995 (904)	3,955 (1,794)	3,909 (1,773)	2,892 (1,311)	3,955 (1,794)	3,909 (1,773)	2,892 (1,311)
+6'	3,029 (1,373)	2,685 (1,217)	1,914 (868.2)	4,012 (1,819)	3,638 (1,650)	2,385 (1,081)	4,630 (2,100)	4,418 (2,004)	3,225 (1,462)	4,630 (2,100)	4,418 (2,004)	3,225 (1,462)
+4'	2,952 (1,339)	2,579 (1,169)	1,914 (868.2)	-	-	2,914 (1,321)	-	-	3,713 (1,684)	-	-	3,713 (1,684)
+2'	2,857 (1,296)	2,463 (1,117)	1,909 (865.9)	-	-	3,876 (1,758)	-	-	4,301 (1,950)	-	-	4,301 (1,950)
0	2,743 (1,244)	2,425 (1,100)	1,799 (816.0)	-	-	4,398 (1,994)	-	-	4,967 (2,253)	-	-	4,967 (2,253)
-2'	2,703 (1,226)	2,394 (1,085)	1,786 (810.1)	-	-	-	-	-	-	-	-	-
-4'	2,646 (1,200)	2,463 (1,117)	1,786 (810.1)	-	-	-	-	-	-	-	-	-
-6'	2,690 (1,220)	2,482 (1,125)	1,786 (810.1)	-	-	-	-	-	-	-	-	-
-8'	2,866 (1,300)	2,531 (1,148)	2,072 (939.8)	-	-	-	-	-	-	-	-	-
-10'	-	2,584 (1,172)	2,315 (1,050)	-	-	-	-	-	-	-	-	-

1. Lift capacities shown are 87% of maximum lift force per SAE definition J31 and are not stability limited unless marked with an (*).

2. Figures stated apply within 90° either side of machine.

3. Figures stated are determined by static tests and do not include dynamic factors.

4. Figures stated are without bucket fitted.

5. Boom is angled at 78° for dipper lift capacities.

6. Loader bucket is on ground.

7. Crane capacity determined with hydraulic boom lock-up feature selection.

terex.com

Effective Date: March 2010. Product specifications and prices are subject to change without notice or obligation. The photographs and/or drawings in this document are for illustrative purposes only. Refer to the appropriate Operator's Manual for instructions on the proper use of this equipment. Failure to follow the appropriate Operator's Manual when using our equipment or to otherwise act irresponsibly may result in serious injury or death. The only warranty applicable to our equipment is the standard written warranty applicable to the particular product and sale and Terex makes no other warranty, express or implied. Products and services listed may be trademarks, service marks, or trade names of Terex Corporation and/or its subsidiaries in the USA and other countries. All rights are reserved. Terex is a registered trademark of Terex Corporation in the USA and many other countries. © 2010 Terex Corporation.

8800 Rostin Road, Southaven, MS 38671 USA
1.888.90.TEREX



WORKS FOR YOU.™

TX760B 0310 PN 109012